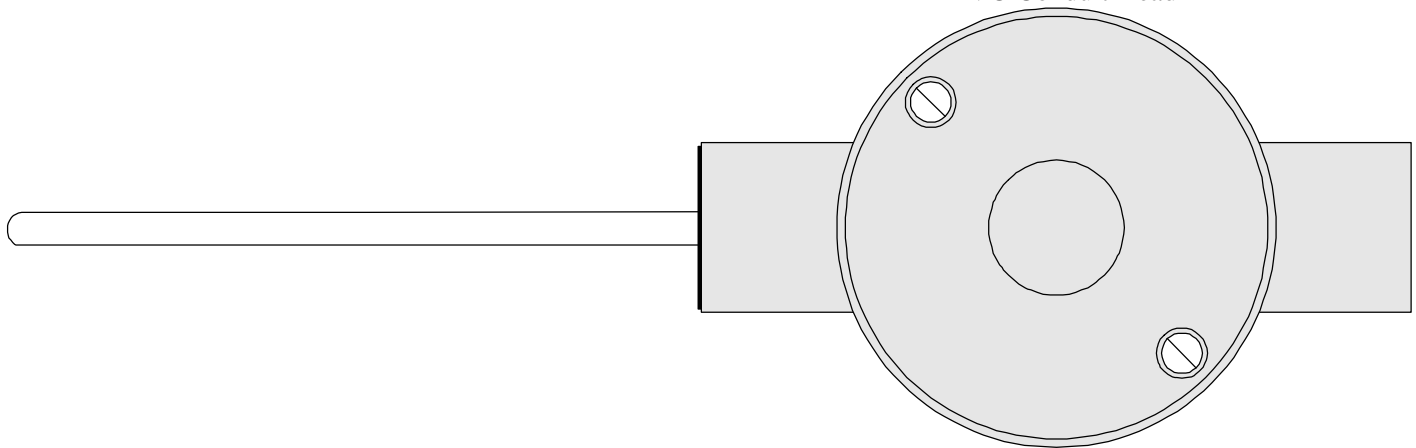


## Wall Mounted RTD Assembly

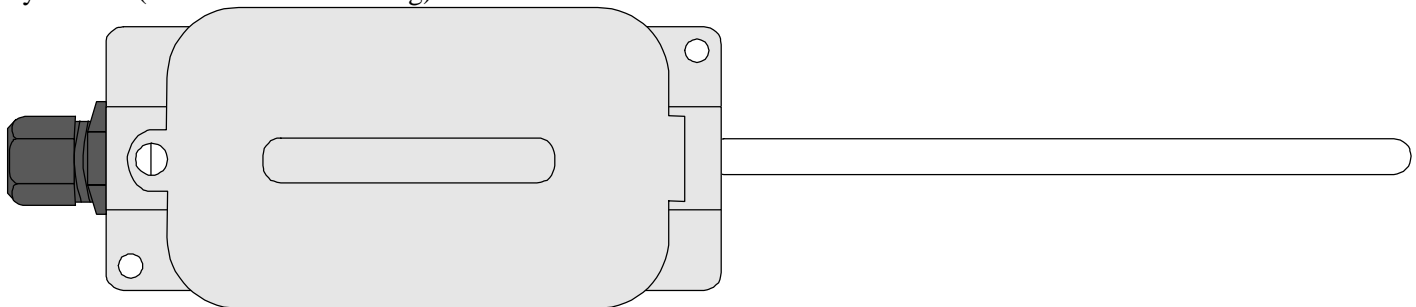
### Specifications

- RTD Pt100 Din standard element
- Maximum temperature rating 280 °C
- Sheath materials 304SS and 316SS
- Optional head-mount transmitter  
Model: IN-690

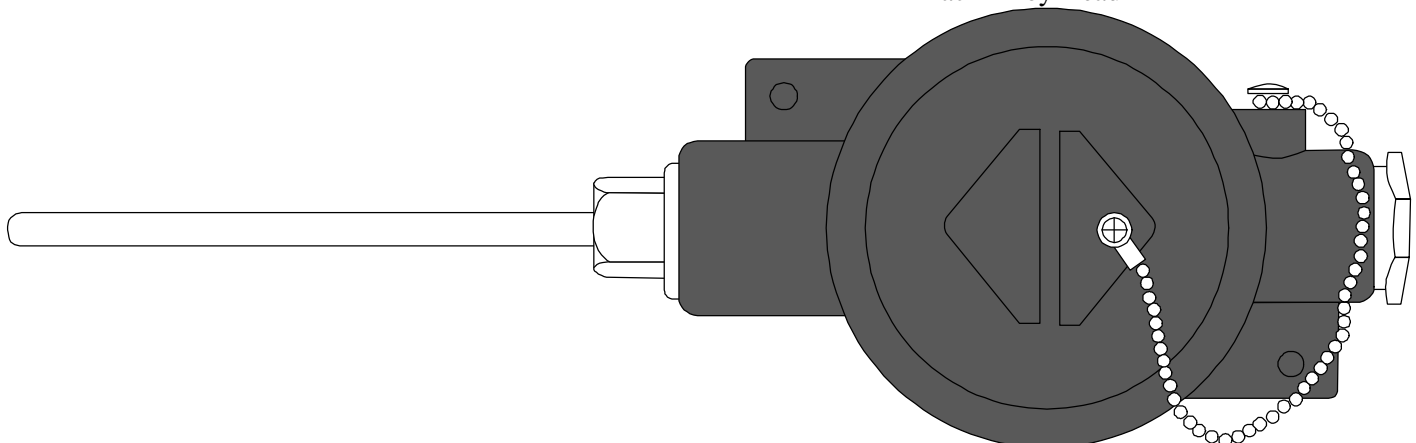
PVC Conduit Head



Pyro Head (Zinc Based Die Casting)



Black Alloy Head



## Wall Mounted RTD Assembly

Item	Code				Specifications
Model	WMR-				
Element		S			Single
		D			Duplex
		X			Others
Outer Diameter		6.4-			Millimetres (Standard, 304SS) *
		X-			Millimetres
Sheath Length			100		Millimetres (Standard)
			150		Millimetres
			□□□		Millimetres
Connection			CB-		Conduit Box (PVC)
			PH-		Pyro Head
			AH-		Alloy Head
Transmitter				N	None
				TX	Head-Mount Transmitter
Transmitter Range				N-	None
				05-	0 to 50 °C
				55-	-50 to +50 °C
				X-	Others
Accessories				N	None
				C	Cable Gland for Conduit Box

- 316SS material available on request.

Note: The above covers the more common RTD probes. We can supply probes to your particular specification.