

RTD Food Probes

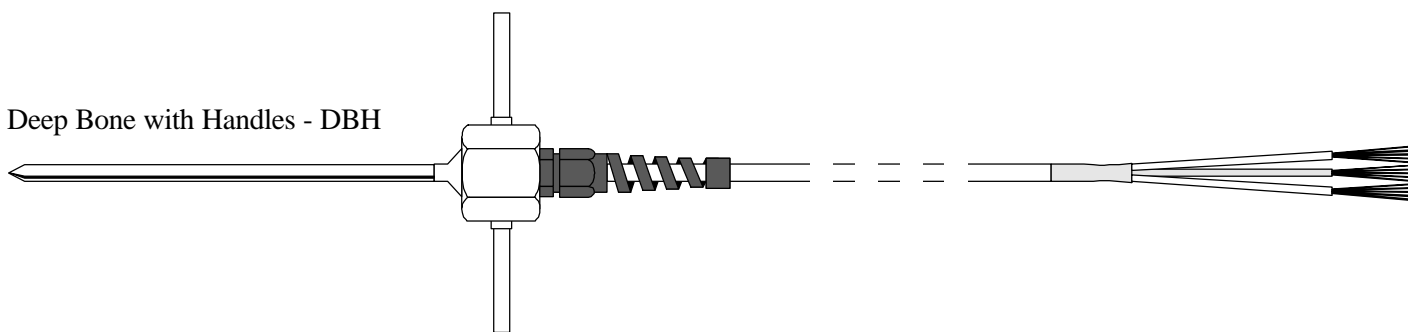
General Specifications

- RTD Pt100 DIN standard element
- Temperature range from -50°C to 180°C
- Varying sheath materials

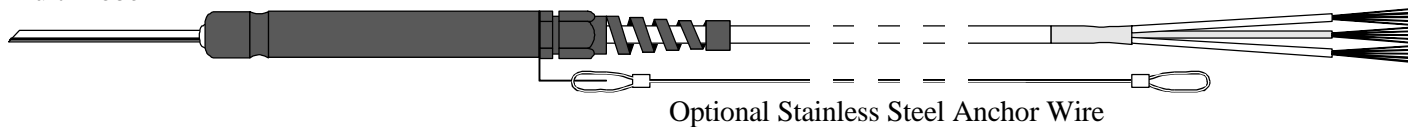
Deep Bone - DB



Deep Bone with Handles - DBH

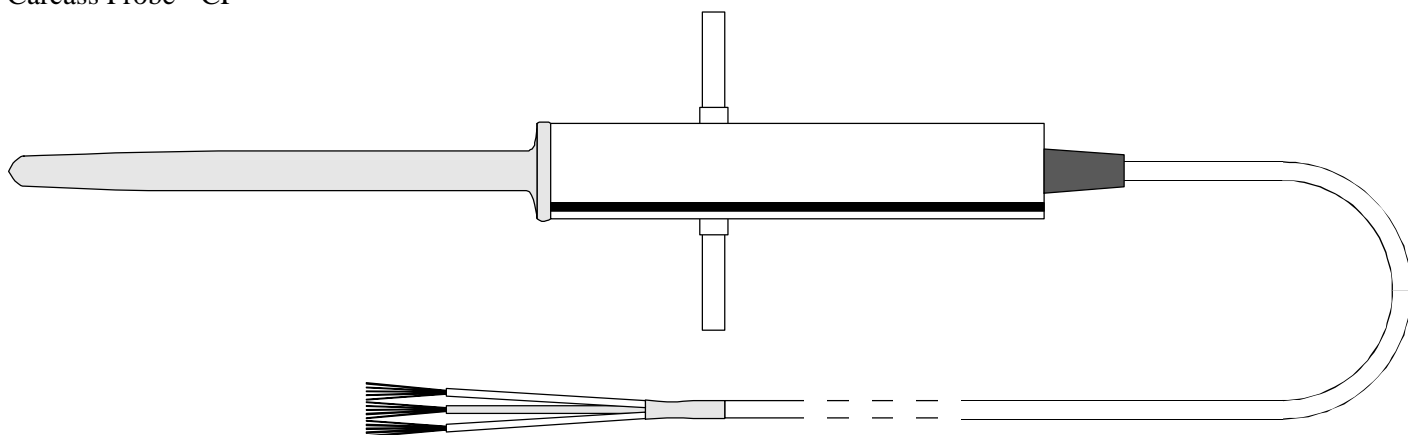


Fruit Probe - FP

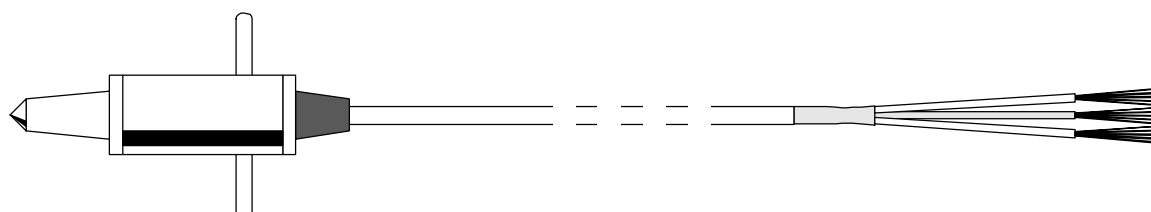


Optional Stainless Steel Anchor Wire

Carcass Probe - CP



Crayfish Probe - CFP



RTD Food Probes

Item	Code		Specification
Deep Bone Probe			
Model	DB		
	DBH		
Outer Diameter	6.0-		Millimetres (Standard)
	X-		Others
Sheath Length	150		Millimetres (Standard)
	□□□		Millimetres
Lead	A		3Core PVC 16/0.2 (80°C)
	X		Others
Lead Length	7000		Millimetres (Standard)
	□□□□		Millimetres
Fruit Probe			
Model	FP		
Outer Diameter	3.0-		Millimetres (Standard)
	X-		Others
Sheath Length	50		Millimetres (Standard)
	□□□		Millimetres
Lead	A		3Core PVC 16/0.2 (105°C)
	X		Others
Lead Length	7000		Millimetres (Standard)
	□□□□		Millimetres
Accessories	N		None
	W		Stainless Anchor Wire
Carcass Probe			
Model	CP		
Outer Diameter	10-		Millimetres (Standard)
	X-		Others
Sheath Length	100		Millimetres (Standard)
	□□□		Millimetres
Lead	A		4Core Silicon Rubber 6/0.2 (180°C)
	X		Others
Lead Length	4000		Millimetres (Standard)
	□□□□		Millimetres
Crayfish Probe			
Model	CFP		
Outer Diameter	8-		Millimetres (Standard)
	X-		Others
Sheath Length	25		Millimetres (Standard)
	□□□		Millimetres
Lead	A		4Core Silicon Rubber 6/0.2 (180°C)
	X		Others
Lead Length	2000		Millimetres (Standard)
	□□□□		Millimetres

Note: the above covers the more common RTD probes. We can supply probes to your particular specification.