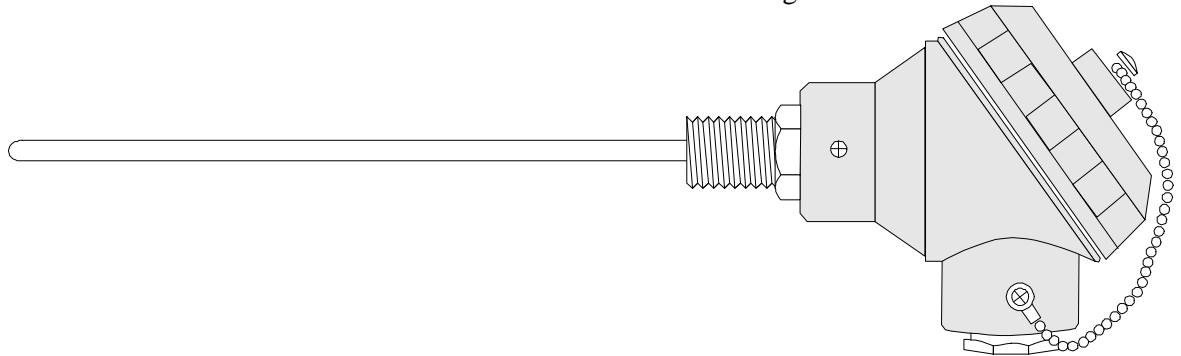


Mineral Insulated RTD Probe with Head and Process Fitting

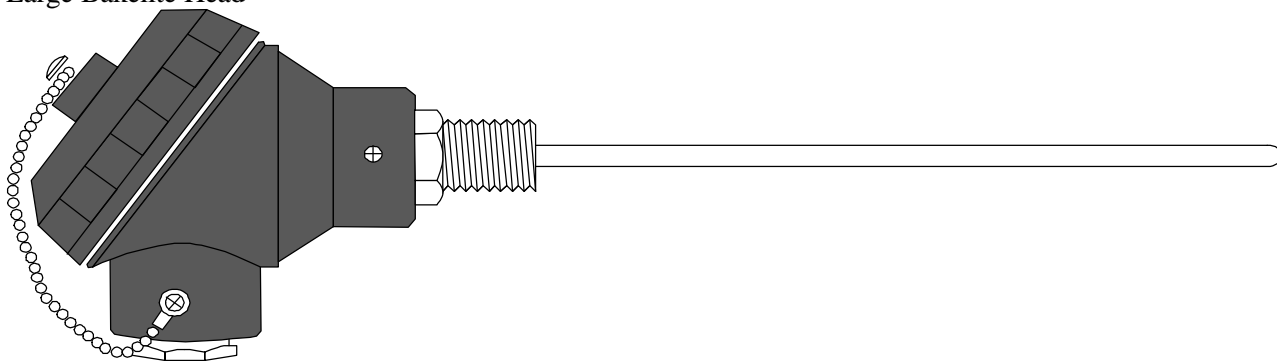
General Specifications

- RTD Pt100 DIN Standard Element
- Maximum Temperature Rating 300°C
- All Sheath Material 316 SS
- Various terminal heads
- Optional head-mount transmitter.
Model IN 690

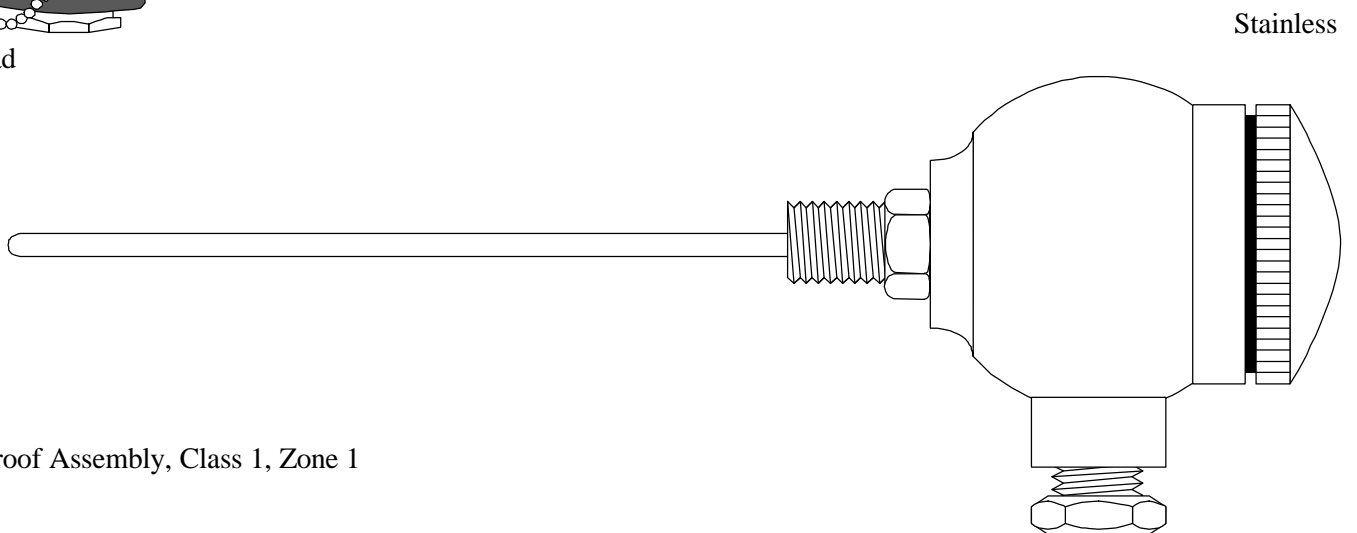
Large Aluminium Head



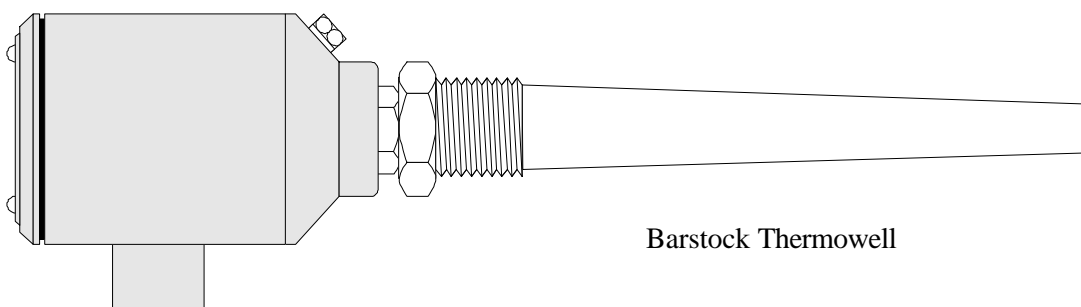
Large Bakelite Head



Steel Head



Flameproof Assembly, Class 1, Zone 1



Barstock Thermowell

Mineral Insulated RTD Probe with Head and Process Fitting

Item	Code				Specification
Model	MRPH-				
Element		S			Single
		D			Duplex
		X			Others
Outer Diameter		6.0			Millimetres (Standard)
		X-			Other
Sheath Length			□□		Millimetres
Sheath Loading			F		Fixed (Standard)
			S		Spring Loaded
			LA		Large Aluminium
			LB		Large Bakelite
			SS		Stainless Steel
			FP		Flameproof Head
Transmitter			N		None
			TX		Head-Mount Transmitter *
Transmitter Range			N-		None
			□□		See Measuring Range Code
			X-		Other
Accessories			P		½" BSP Process Fitting
			X		Other

*Fits large head only.

Measuring Range Codes

Measuring Range	Code
-50 to 50 °C	55
0 to +50 °C	05
0 to +100 °C	10
0 to +150 °C	15
0 to +200 °C	20
0 to +250 °C	25
0 to +300 °C	30

Note: The above covers the more common RTD probes. We can supply probes to your particular specification.