

# Temperature Sensing THERMOWELLS

Series 260

## FEATURES:

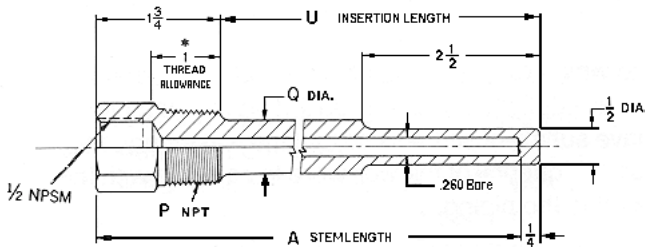
- **QUALITY** - Q.C. System and Manual approved by major government and industrial organizations.
- **FOR USE WITH ALL SENSORS** - Thermometers, Thermocouples, RTD's.
- **WIDE RANGE OF MATERIALS** - Stainless Steels, Carbon Steel, Brass, Hastelloys, Nickel and Titanium.
- **STANDARD BORE SIZES** - 0.260" and 0.385" diameter
- **STANDARD CONNECTIONS** - Threaded, Flanged and Socket Weld
- **STANDARD SHANKS** - Tapered and Straight
- **MATERIAL TRACEABILITY** - Test reports available upon request

## GENERAL SPECIFICATIONS:

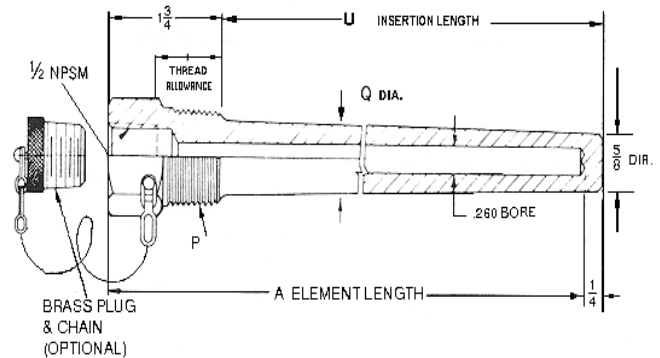
- Materials** - Stainless steels, Chrome-molybdenum steel, Silicon bronze, Hastelloy B & C and Titanium
- Connections** - Threaded, Flanged (A.S.A. and Van Stone) and Socket weld
- Bore Sizes** - 0.260" and 0.385" diameter (optional)
- Velocity Ratings** - Available upon request for each Thermowell, by material of construction and temperature
- Connection Sizes** - 1/2", 3/4" and 1" NPT are standard. Other thread sizes available upon request
- Cap and Chain** - Available as option



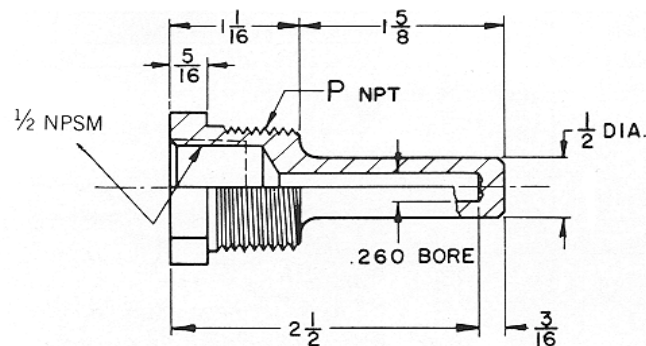
260 S - General Use



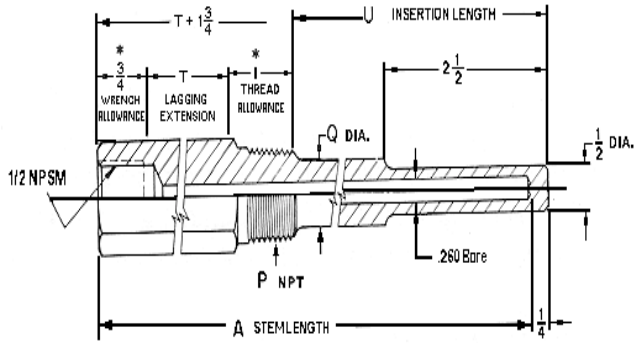
260 H - General Use



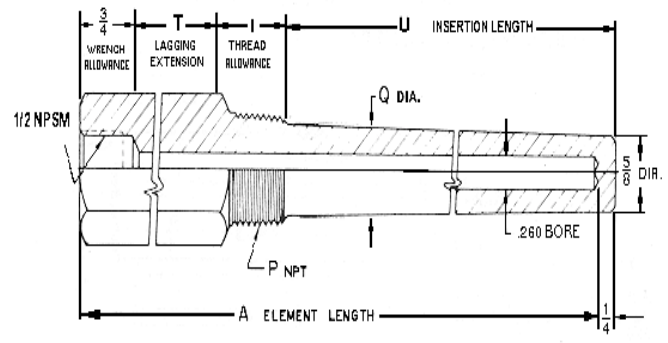
260 A - Limited Space



### 260 L - Lagging Extension Type



### 260 HL - Lagging Extension Type



## ORDERING INFORMATION

SERIES	External Thread P	Type Number	Lag. Ext. T	Elem. Length A	Insert Length U	Shank Dia. Q	MATERIAL			
							Stainless Steel			
							304	316	Carbon Steel	Brass
<b>260 S - General Use</b>	1/2" NPT	1/2"-260S -U 2 1/2	-	4	2 1/2	-	304	316	CS	BR
		-U 4 1/2	-	6	4 1/2	5/8	304	316	CS	BR
		-U 7 1/2	-	9	7 1/2	5/8	304	316	CS	BR
		-U 999	-	*	*	5/8	-	-	-	-
	3/4" NPT	3/4"-260S -U 2 1/2	-	4	2 1/2	-	304	316	CS	BR
		-U 4 1/2	-	6	4 1/2	3/4	304	316	CS	BR
		-U 7 1/2	-	9	7 1/2	3/4	304	316	CS	BR
		-U 10 1/2	-	12	10 1/2	3/4	304	316	CS	BR
		-U 999	-	*	*	3/4	-	-	-	-
1" NPT	1"-260S -U 2 1/2	-	4	2 1/2	-	304	316	CS	BR	
	-U 4 1/2	-	6	2 1/2	7/8	304	316	CS	BR	
	-U 999	-	*	*	7/8	-	-	-	-	
<b>260 L - Lagging Extension Type</b>	1/2" NPT	1/2"-260L -U 4 1/2	3	9	4 1/2	5/8	304	316	CS	BR
		-U 999	*	*	*	5/8	-	-	-	-
	3/4" NPT	3/4"-260L -U 2 1/2	2	6	2 1/2	-	304	316	CS	BR
		-U 4 1/2	3	9	4 1/2	3/4	304	316	CS	BR
		-U 999	*	*	*	3/4	-	-	-	-
	1" NPT	1"-260L -U 4 1/2	3	9	4 1/2	7/8	304	316	CS	BR
-U 999		*	*	*	7/8	-	-	-	-	
<b>260 H - General Use</b>	1" NPT	1"-260H -U 2 1/2	-	4	2 1/2	1 1/16	304	316	CS	BR
		-U 4 1/2	-	6	4 1/2	1 1/16	304	316	CS	BR
		-U 7 1/2	-	9	7 1/2	1 1/16	304	316	CS	BR
		-U 999	-	*	*	1 1/16	-	-	-	-
		1"-260HL -U 4 1/2	3	9	4 1/2	1 1/16	304	316	CS	BR
<b>260 HL - Lagging Extension Type</b>	1" NPT	-U 7 1/2	3	12	7 1/2	1 1/16	304	316	CS	BR
		-U 999	-	*	*	1 1/16	-	-	-	-
		3/4"-260A-U 1 5/8	-	-	-	-	304	316	CS	BR
<b>260 A - Limited Space</b>	1" NPT	-U 999	-	-	-	-	-	-	-	
		1"-260A-U 1 5/8	-	-	-	-	304-	316	CS	BR
<b>Cap and Chain (optional)</b>							304	316	-	-

\* Note: On 1/2" NPT external threaded wells, the 1" thread allowance and 3/4" wrench allowance dimensions are reversed to accommodate the 1/2" NPSM female thread.